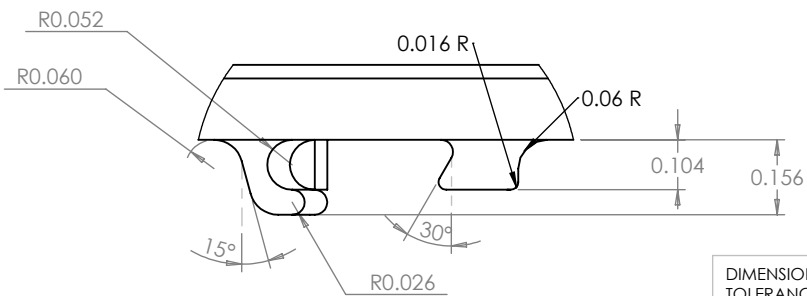
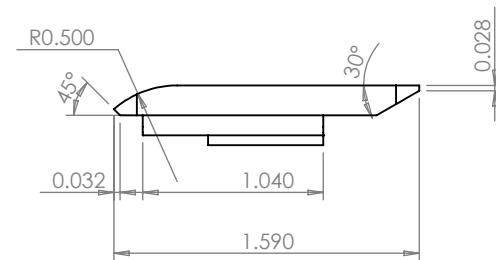
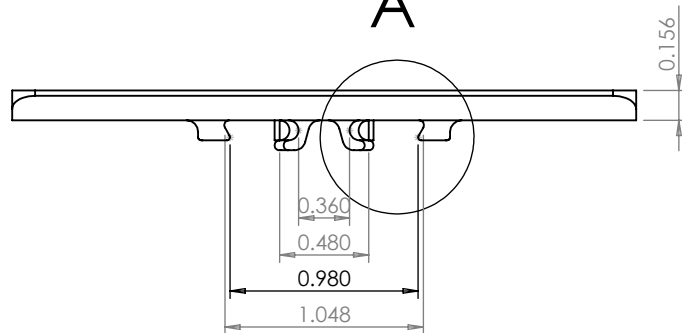


A



DETAIL A

DIMENSIONS ARE IN INCHES
 TOLERANCES:
 FRACTIONAL $\pm 1/64$
 ANGULAR: MACH $\pm 0^\circ 30'$
 TWO PLACE DECIMAL ± 0.010
 THREE PLACE DECIMAL ± 0.005
 DRAFT ANGLES: $0^\circ 30'$ to $1^\circ 0'$

PLASTOCK[®]
 Manufactured by Putnam Precision Molding

Part Number:
150 NSC 325

www.plastock.biz
 © 2010 Putnam Precision Molding

Part Description:
 Removable Top Plate
 Series 1 1/2" Pitch

PROPRIETARY AND CONFIDENTIAL : THE INFORMATION CONTAINED IN THIS DRAWING IS THE SOLE PROPERTY OF PUTNAM PRECISION MOLDING. ANY REPRODUCTION IN PART OR AS A WHOLE WITHOUT THE WRITTEN PERMISSION OF PUTNAM PRECISION MOLDING IS PROHIBITED. INFORMATION IN THIS DRAWING IS PROVIDED FOR REFERENCE ONLY.